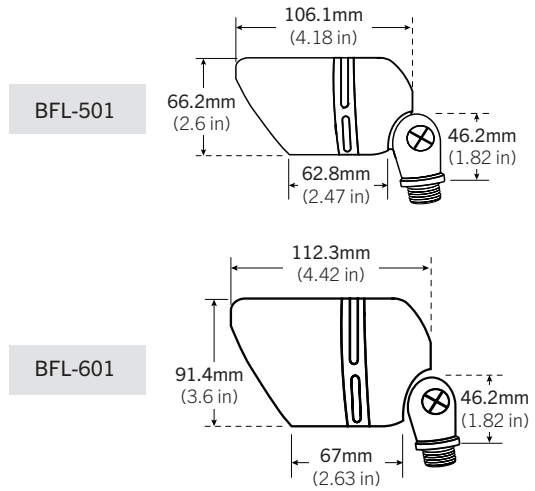




INSTALLATION GUIDE

DIMENSIONS



PRE-INSTALLATION

Disconnect power source prior to installation.
Power input is 12V. Confirm the source voltage is compatible.




SAFETY

Read all instructions before installation.

These products may present a possible shock, serious injury, or death if improperly installed.

Do not cover fixture with heat insulation gasket or similar materials.

Luminaire is for above ground installation only.

-  Product should be installed by a qualified electrician.
-  Product should be installed in accordance with these instructions and current electrical codes.
-  To reduce the risk of fire or overheating, all connections should be tight and secure.

INSTALLATION

STEP 1 Using the provided hex key and set screw, secure the back of the fixture housing in place. (Figure 1)

STEP 2 Feed the main power cord along the slotted side of the mounting stake and twist clockwise to secure the fixture to the mounting stake. (Figure 2)

STEP 3 Use a flathead screwdriver to loosen the large screw, located on the side of the fixture, if you need to adjust the head vertically. (Figure 3)
After adjusting, tighten the screw to hold the new vertical position.

STEP 4 Connect main power cord to the source voltage line.

