

# FL-802MP

## 100-277V MINI DUAL-HEAD OUTDOOR LIGHTING LUMINAIRE

Project \_\_\_\_\_  
Location \_\_\_\_\_  
Quote/ Ref # \_\_\_\_\_

The **FL-802MP** is a miniature dual-head, outdoor LED accent light with multiple beam and shroud options. It can individually rotate 360° and can be tilted 180° allowing for a more precise lighting scheme. Various accessories are available for different mounting options. Made of die-cast aluminum, it is extremely durable to ensure a longer lifetime. Suitable for highlighting small objects or surfaces.



### SPECIFICATIONS

INPUT VOLTAGE	100-277V AC
WATTAGE	6W
HOUSING	Die-cast Aluminum
GASKET	Silicone Rubber
FRONT COVER	Tempered Glass
LED OPTIC	Polycarbonate Lens
FINISH TYPE	AkzoNobel Powder Coating
DRIVER TYPE	Constant Current
AMBIENT TEMPERATURE	-20 ~ 45°C (-4 ~ 113°F)
IP RATING	IP65
CERTIFICATIONS	ETL

### FEATURES

- 100-277V AC
- Individually Adjustable, Dual Heads
- 360° Rotate | 180° Tilt
- Die-cast Aluminum Housing
- IP65 Outdoor/ Wet Rated
- Multiple Beam Patterns

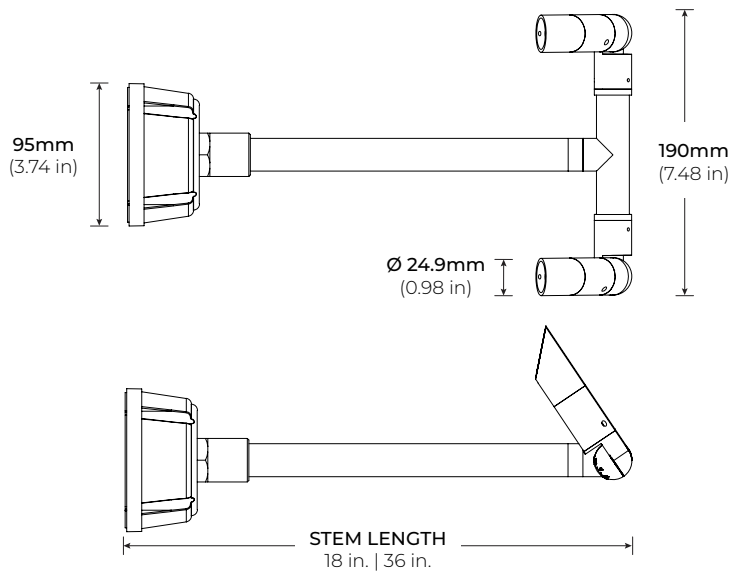


MODEL	WATTS	STEM LENGTH	COLOR TEMP	OPTICS	SHROUD	FINISH	ACCESSORIES
FL-802MP	6 6W (3W x 2)	18 18 in.	27K 2700K	15 15°	NS No Shroud	BLK Black	SHV High Voltage Ground Stake
		36 36 in.	30K 3000K	25 25°	AS Angled Retractable	WH White	MR Marine Ambient Corrosion Resistant
			40K 4000K	35 35°		GR Gray	
			50K 5000K	3515 H35° x V15°		BZ Bronze	
						SI Silver	

# FL-802MP

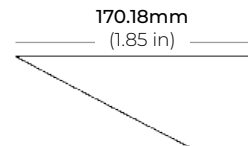
## 100-277V MINI DUAL-HEAD OUTDOOR LIGHTING LUMINAIRE

### DIMENSIONS



### SHROUDS

AS  
ANGLED RETRACTABLE



### ACCESSORIES

SHV  
HIGH VOLTAGE GROUND STAKE

