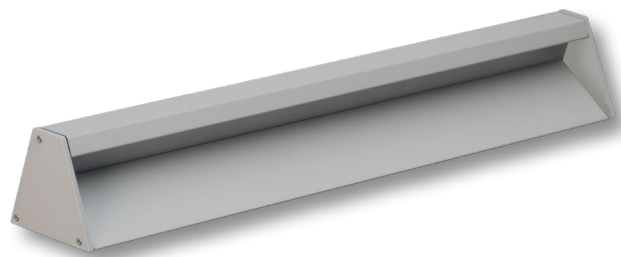


ERIS LINEAR

OUTDOOR LINEAR SURFACE LED SYSTEM

Project _____
Location _____
Quote/ Ref # _____

The **Eris Linear** is a dimmable LED fixture designed for outdoor settings, perfect for illuminating walkways and high-traffic areas. Capable of 400 Lumens of light output, this discreet alternative to bollard lights provides optimal illumination while seamlessly blending into its surroundings. Built to withstand harsh weather conditions, this outdoor fixture is ideal for both residential and commercial use.



SPECIFICATIONS

TYPE	Surface
FINISH	Gray
POWER CONSUMPTION	2W 3.5W 5W
INPUT VOLTAGE	120V - 277V
LUMEN OUTPUT	400 Lm/ Ft. (3.5W-30K)
CRI	90+
COLOR TEMPERATURE	22K/ 24K/ 27K/ 30K/ 35K/ 40K/ 50K
DIMMING	ELV, 0-10V, TRIAC
MAXIMUM RUN LENGTH	55 Ft. (2W) 40 Ft. (3.5W) 25 Ft. (5W)
LENS	Frosted
DRIVER TYPE	Remote
IP RATING	IP67
LUMEN MAINTENANCE	50,000 Hrs.
CERTIFICATIONS	UL Listed

FEATURES

- Corrosion Resistant 6060, Anodized Aluminum
- IP67 Outdoor/ Wet Rated

LUMENS

CCT	LM/ FT.	EFFICACY (LM/W)	CRI	R9	R13
2200K	333	95	95+	85	98
2400K	358	102	95+	91	99
2700K	400	114	95+	94	98
3000K	400	114	95+	95	99
3500K	421	120	95+	94	98
4000K	428	122	95+	92	98
5000K	460	131	95+	96	99

* Lumens based on 3.5W/ Ft.

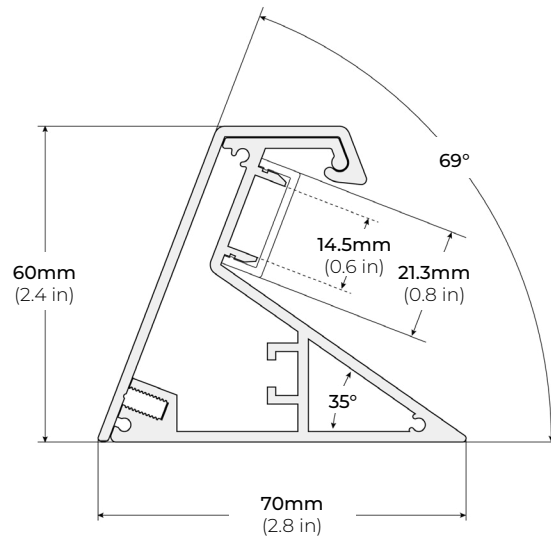


MODEL	WATT	COLOR TEMP	LENGTH	FINISH	DRIVER
ERS	2 2W	22K 2200K	42 42 in.	GR Gray	REMOTE: EB PSDL Series TRIAC ELV Dimming D10 PSDE-96W-24V-010JB 0-10V Dimming HL3E Lutron ECO 3-Wire
	3 3.5W	24K 2400K	84 84 in.		
	5 5W	27K 2700K	CU Custom Length		
		30K 3000K			
		35K 3500K			
		40K 4000K			
	50K 5000K				

ERIS LINEAR

OUTDOOR LINEAR SURFACE LED SYSTEM

DIMENSIONS



ACCESSORIES

ERS-EC END CAP

* SOLD SEPARATELY

