

FL-821MP

120V SINGLE-HEAD OUTDOOR LIGHTING LUMINAIRE

Project _____
Location _____
Quote/ Ref # _____

The **FL-821MP** is an outdoor LED accent light with multiple beam and shroud options. It can individually rotate 360° and can be tilted 180° allowing for a more precise lighting scheme. Made of die-cast aluminum, it is extremely durable to ensure a longer lifetime. Its optimized heat dissipation allows the luminaire to be operated in extended lengths of time. Suitable for outdoor lighting such as building facades, gardens, lawns, tree accent lighting, and common outdoor areas.



SPECIFICATIONS

INPUT VOLTAGE	120V AC
WATTAGE	10W/ 15W
HOUSING	Die-cast Aluminum
GASKET	Silicone Rubber
FRONT COVER	Tempered Glass
LED OPTIC	Polycarbonate Lens
FINISH TYPE	AkzoNobel Powder Coating
DRIVER TYPE	Constant Current (Built-In)
AMBIENT TEMPERATURE	-20 ~ 45°C (-4 ~ 113°F)
IP RATING	IP65
CERTIFICATIONS	ETL

FEATURES

- 120V AC (No Transformer Needed)
- Available in 10W and 15W
- 360° Rotate | 180° Tilt
- Die-cast Aluminum Housing
- IP65 Outdoor/ Wet Rated
- Multiple Beam Patterns

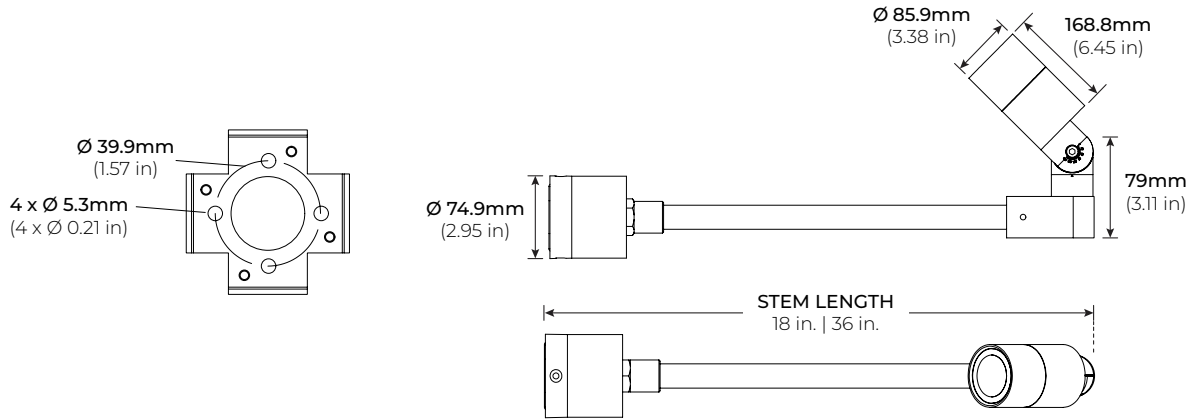


MODEL	WATTS	STEM LENGTH	COLOR TEMP	OPTICS	SHROUD	FINISH	ACCESSORIES
FL-821MP	10 10W	18 18 in.	27K 2700K	15 15°	NS No Shroud	BK Black	HC Honeycomb Louver
	15 15W	36 36 in.	30K 3000K	24 24°	AS Angled Retractable	WH White	MR Marine Ambient Corosion Resistant
			40K 4000K	36 36°	OS Open Straight Retractable	GR Gray	
			50K 5000K	50 50°		BZ Bronze	
			5020 H50° x V20°		SI Silver		

FL-821MP

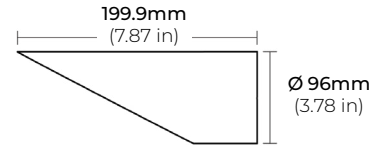
120V SINGLE-HEAD OUTDOOR LIGHTING LUMINAIRE

DIMENSIONS

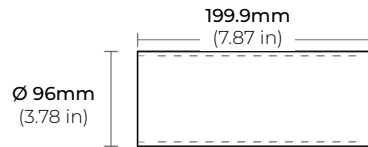


SHROUDS

AS
ANGLED RETRACTABLE



OS
OPEN STRAIGHT RETRACTABLE



ACCESSORIES

HC
HONEYCOMB LOUVER

