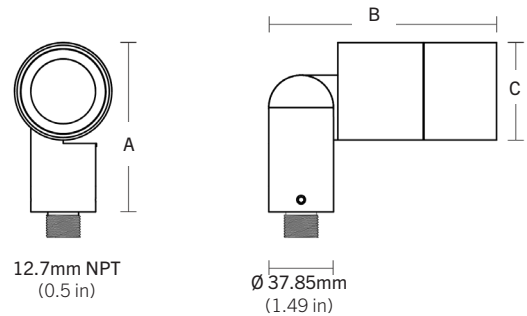


INSTALLATION GUIDE



DIMENSIONS



MODEL	A	B	C
FL-710	99.06mm	132.8mm	Ø 56.9mm
FL-720	125.98mm	182.88mm	Ø 83.82mm
FL-730	160.02mm	217.93mm	Ø 119.89mm

PRE-INSTALLATION

Disconnect power source prior to installation.

SAFETY

Read all instructions before installation.

These products may present a possible shock, serious injury, or death if improperly installed.

Do not cover fixture with heat insulation gasket or similar materials.

- Product should be installed by a qualified electrician.
- Product should be installed in accordance with these instructions and current electrical codes.
- To reduce the risk of fire or overheating, all connections should be tight and secure.

INSTALLATION

STEP 1

Separate the top and bottom of the Junction Box. Feed the fixture main power cord and thread through the top hole of the junction box cap. Secure in place with a screw nut. (Figure 1)

STEP 2

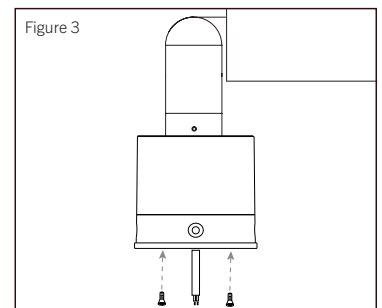
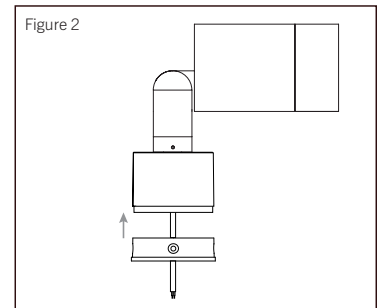
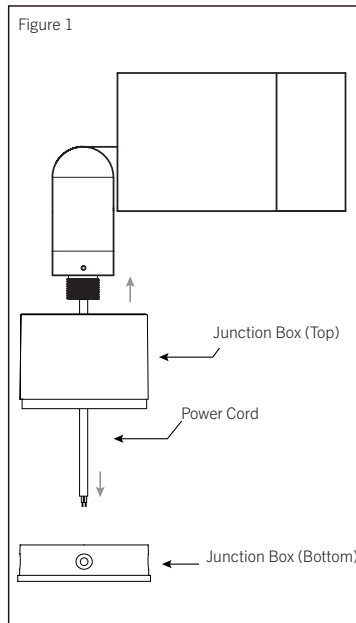
Feed the power cord through hole located at the bottom of the junction box. Connect both halves of the junction box by carefully pressing together. (Figure 2)

STEP 3

Secure the junction box in place using the provided screws. (Figure 3)

STEP 4

Feed the main power cord through the junction box mounting plate and fit the plate inside the bottom of the junction box. Using a hex key and screws, tightly secure the mounting plate in place along the side of the junction box with a hex key. (Figure 4)



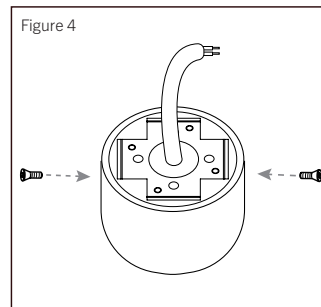
INSTALLATION

STEP 5

Align the mounting screw holes of the junction box mounting plate and the mounting option of your choice.

**Refer to spec sheet for mounting options*

Secure in place with appropriate screws. (Figure 5)



STEP 6

Connect main power cord to the source voltage line.

Figure 5

Junction Box Mounting Plate

