

ST-601

INDOOR/ OUTDOOR STEP LIGHT

Project _____
Location _____
Quote/ Ref # _____

The **ST-601** Step Light is a 6W dimmable LED fixture which can be used in most indoor or outdoor applications. Capable of 330 Lumens of light output, this easy to install fixture provides optimal lighting in a stylish design.



SPECIFICATIONS

INPUT VOLTAGE	24V 120-277V
POWER CONSUMPTION	6W
LUMEN OUTPUT	330 Lumens
OPERATING FREQUENCY	50/ 60Hz
CRI	80+
COLOR TEMPERATURE	2700K/ 3000K/ 4000K
DIMMING	Yes (24V Only)
OPERATING TEMPERATURE	-4°F (-20°C) to 122°F (50°C)
AMBIENT TEMPERATURE	-4°F (-20°C) to 176°F (80°C)
CONNECTION	7" 18AWG Lead Wire
IP RATING	IP67 (wet location)
LUMEN MAINTENANCE	50,000 Hrs.

FEATURES

- Available in 24V and 120-277V
- Suitable for interior or exterior applications
- Die-cast aluminum face plate
- Suitable for wet locations
- Concrete Rated
- Dimmable (24V Only) | Non-Dimmable (120-277V)



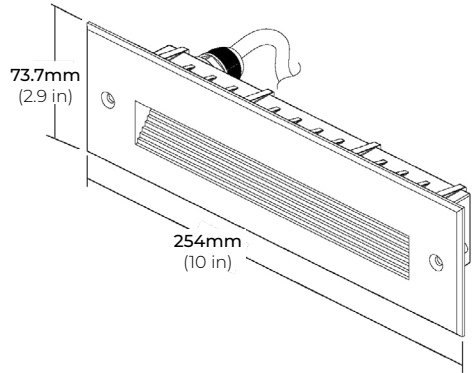
MODEL	COLOR TEMP	FINISH	VOLTAGE
ST601	27K 2700K	WH White	24 24V DC (Dimming)
	30K 3000K	BK Black	
	40K 4000K	BZ Bronze	UNV 120-277V (Non-Dimming)
		SI Silver	

* Dimming on 24V only

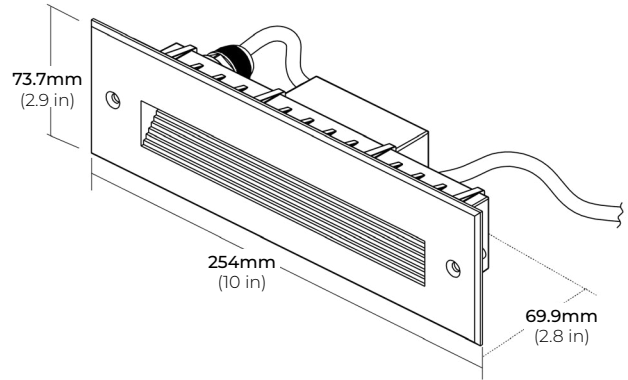
ST-601

INDOOR/ OUTDOOR STEP LIGHT

DIMENSIONS



24V DC



120V AC

RECESSED SLEEVE

