

IG-102

3W IN-GRADE OUTDOOR LED FIXTURE

Project _____
Location _____
Quote/ Ref # _____

The **IG-102** is a 3W in-ground dimmable LED fixture which can be used in most indoor or outdoor applications. Capable of 305 Lumens of light output, this easy to install fixture comes with a concrete pour housing and features heavy duty stainless steel finish able to withstand a maximum load of 2,000 lbs.



SPECIFICATIONS

INPUT VOLTAGE	24V DC
POWER CONSUMPTION	3W
LUMEN OUTPUT	305 Lumens
OPERATING FREQUENCY	50/ 60Hz
CRI	85+
COLOR TEMPERATURE	2700K/ 3000K/ 4000K
DIMMING	ELV, 0-10 and TRIAC
OPERATING TEMPERATURE	-4°F (-20°C) to 122°F (50°C)
AMBIENT TEMPERATURE	-4°F (-20°C) to 176°F (80°C)
CONNECTION	20" 18AWG Lead Wire
MAX LOAD	2,000 lbs
IP RATING	IP65 Wet Location
LUMEN MAINTENANCE	50,000 Hrs.
HOUSING DIMENSIONS	3.63" (D) x 6" (H)
FACE PLATE DIMENSIONS	2.56" (D) x 3.13" (H)
WARRANTY	5-Year Limited

FEATURES

- Suitable for interior or exterior applications
- Designed for in-grade applications
- Heavy duty stainless steel finish
- Suitable for wet locations
- Dimmable

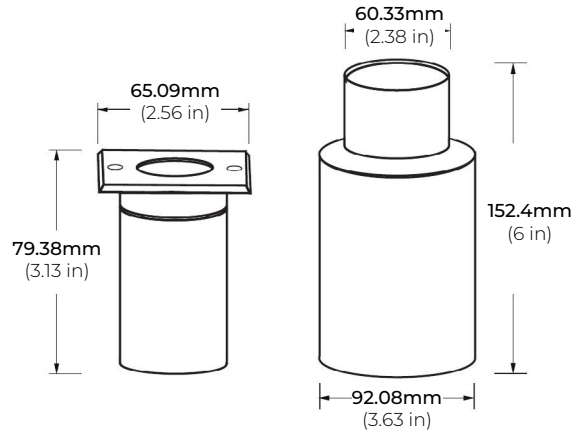


MODEL	COLOR TEMP	FINISH	VOLTAGE
IG-102	27K 2700K	SS Stainless Steel	24V 24V DC
	30K 3000K		
	40K 4000K		

IG-102

3W IN-GRADE OUTDOOR LED FIXTURE

DIMENSIONS

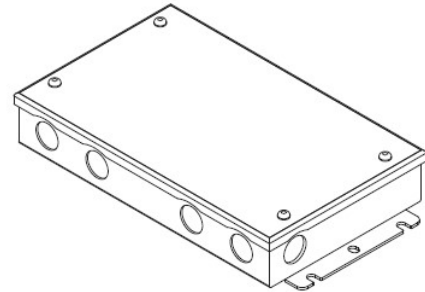


PVC BURIAL SLEEVE

COMPATIBLE DIMMING MODULE

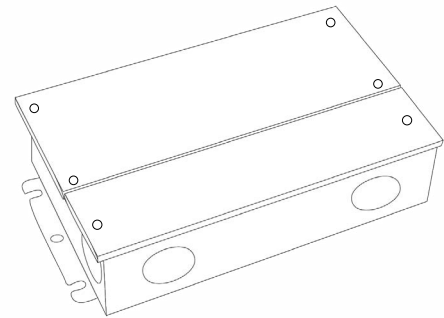
PSDL SERIES TRIAC DIMMABLE

PSDL-30W-24V	CLASS 2	6.5" X 3.63" X 1.03"
PSDL-60W-24V	CLASS 2	7.4" X 3.63" X 1.03"
PSDL-96W-24V	CLASS 2	8.67" X 3.67 X 1.62"
PSDL-150W-24V		8.67" X 3.67" X 1.62"
PSDL-192W-24V	CLASS 2	10.25" X 4.06" X 1.82"
PSDL-200W-24V		10.25" X 4.06" X 1.82"
PSDL-288W-24V	CLASS 2	10.25" X 4.06" X 1.82"
PSDL-300W-24V		10.25" X 4.06" X 1.82"



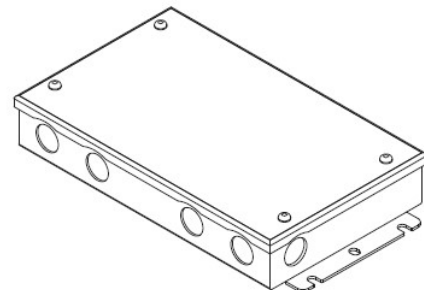
PSRX SERIES 4-IN-1 DIMMING DRIVER

PSRX-30W-24V	CLASS 2	6.5" X 3.72" X 1.57"
PSRX-60W-24V	CLASS 2	7.4" X 3.72" X 1.57"
PSRX-96W-24V	CLASS 2	8.66" X 3.72" X 1.57"
PSRX-150W-24V		10.24" X 4.13" X 1.77"
PSRX-192W-24V	CLASS 2	11" X 4" X 1.82"
PSRX-200W-24V		10.24" X 4.13" X 1.77"
PSRX-288W-24V	CLASS 2	11.85" X 4.25" X 1.82"
PSRX-300W-24V		10.94" X 4.33" X 1.77"



PSVT SERIES 0-10V DIMMING DRIVER

PSVT-60W-24V	CLASS 2	7.4" X 3.72" X 1.57"
PSVT-96W-24V	CLASS 2	8.66" X 3.72" X 1.57"
PSVT-200W-24V		10.24" X 4.13" X 1.77"
PSVT-288W-24V	CLASS 2	11.85" X 4.25" X 1.81"
PSVT-300W-24V		10.94" X 4.33" X 1.77"



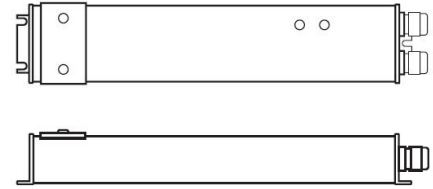
IG-102

3W IN-GRADE OUTDOOR LED FIXTURE

COMPATIBLE DIMMING MODULE

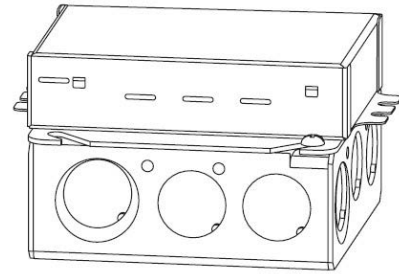
PSDE SERIES
0-10V DIMMING W/ JUNCTION BOX

PSDE-60W-24V-010-JB CLASS 2 12.1" X 2.36" X 1.4"
PSDE-96W-24V-010-JB CLASS 2 12.1" X 2.36" X 1.4"

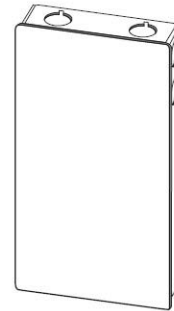


LUTRON 1%
3-WIRE DIMMING

L3DA4U1UKL-CV240 CLASS 2 4.89" X 4" X 2.62"



PSDE-96W-24V-ECO CLASS 2 10.5" X 3.0" X 2.0"



NON-DIMMING DRIVERS (COMPATABLE WITH ALL SYSTEMS)

PSHK SERIES
NON-DIMMING CONSTANT VOLTAGE WITH JUNCTION BOX

PSHK-30W-24V CLASS 2 6.5" X 3.6" X 1.02"
PSHK-60W-24V CLASS 2 7.4" X 3.62" X 1.02"
PSHK-96W-24V CLASS 2 8.66" X 3.66" X 1.61"
PSHK-150W-24V 10.24" X 4.06" X 1.81"
PSHK-200W-24V 10.24" X 4.06" X 1.81"
PSHK-288W-24V CLASS 2 11.85" X 4.25" X 1.82"
PSHK-300W-24V 10.24" X 4.25" X 1.81"

