

FL-710LV

LOW VOLTAGE OUTDOOR LIGHTING LUMINAIRE

Project _____

Location _____

Quote/ Ref # _____

The **FL-710LV** is low-voltage, outdoor LED accent light with multiple beam and shroud options. It can rotate 360° and can be tilted 180° allowing for a more precise lighting scheme. Various accessories are available for different mounting options. Made of die-cast aluminum, it is extremely durable to ensure a longer lifetime. Its optimized heat dissipation allows the luminaire to be operated in extended lengths of time. Suitable for outdoor lighting such as building facades, gardens, lawns, tree accent lighting, and common outdoor areas.



SPECIFICATIONS

INPUT VOLTAGE	12V AC 24V DC
WATTAGE	4W 7W
DIMMING	MLV, ELV, 0-10V and TRIAC
LUMEN OUTPUT	70Lm/W
HOUSING	Die-cast Aluminum
FRONT COVER	Tempered Glass
FINISH TYPE	Powder Coating
DRIVER TYPE	Remote
AMBIENT TEMPERATURE	-20 ~ 45°C (-4 ~ 113°F)
IP RATING	IP65

FEATURES

- 12V AC | 24V DC
- Available in 4W and 7W
- 360° Rotate | 180° Tilt
- Die-cast Aluminum Housing
- IP65 Outdoor/ Wet Rated
- Multiple Optic options

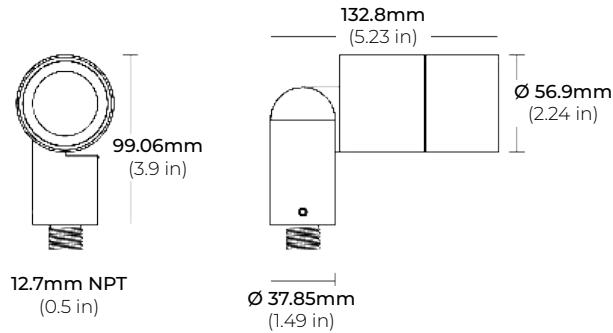


MODEL	WATTS	COLOR TEMP	OPTICS	CRI	VOLT	SHROUD	FINISH	ACCESSORIES	
FL710-LV	4 4W	30K 3000K	10 10°	80 80	12 12V AC	NS No Shroud	BK Black	KA Mounting Bracket A	HC Honeycomb Louver
	7 7W	40K 4000K	25 25°	90 90	24 24V DC	AS Angled Glare Shield	WH White	KB Mounting Bracket B	MR Marine Ambient Corosion Resistant
		60K 6000K	35 35°	3012 H30° x V12°		OS Straight Glare Shield	GR Gray	KC 4.5" Round Cover	PC Pole Clamp
	RD Red	45 45°	BZ Bronze		JB Junction Box				
	GR Green	3012 H30° x V12°	SI Silver			SK Ground Stake			
BL Blue				PJB Tree Strap with Junction Box					

FL-710LV

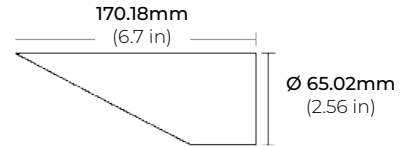
LOW VOLTAGE OUTDOOR LIGHTING LUMINAIRE

DIMENSIONS

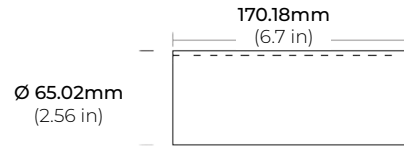


SHROUDS

AS
ANGLED GLARE SHIELD

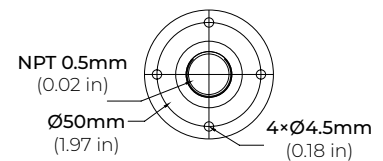
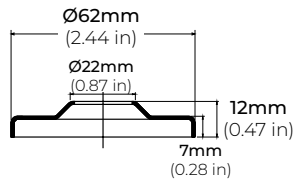


OS
STRAIGHT GLARE SHIELD

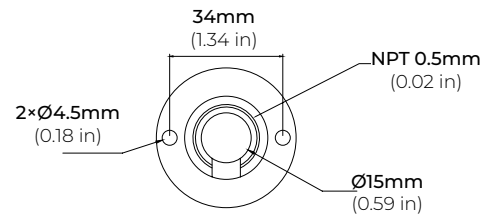
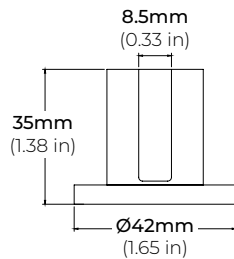


ACCESSORIES

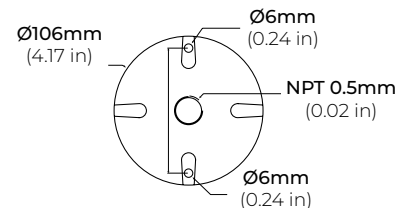
FL700-KA
MOUNTING BRACKET A



FL700-KB
MOUNTING BRACKET B



FL700-KC
4.5" ROUND COVER

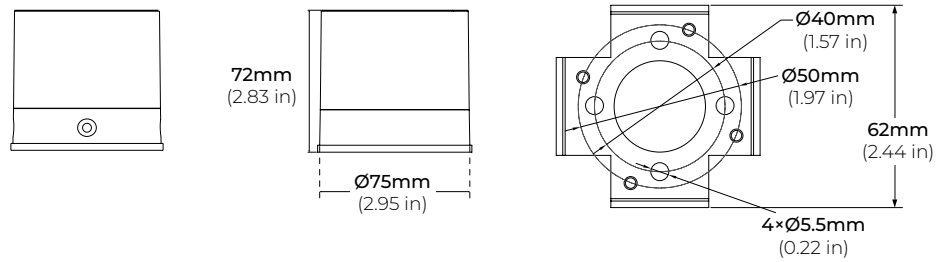


FL-710LV

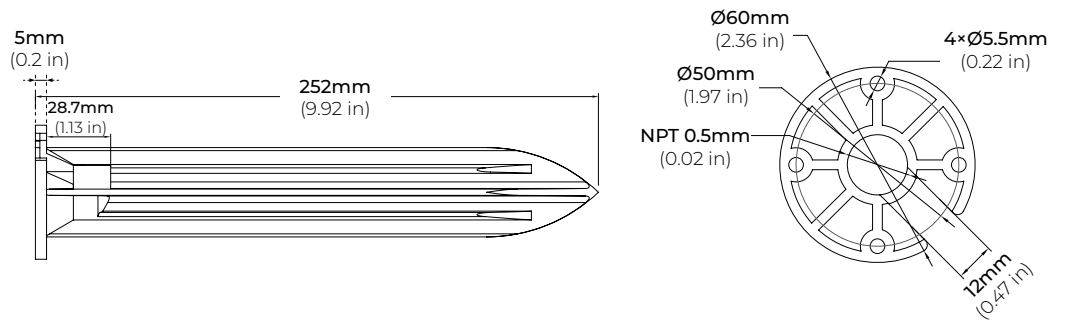
LOW VOLTAGE OUTDOOR LIGHTING LUMINAIRE

ACCESSORIES

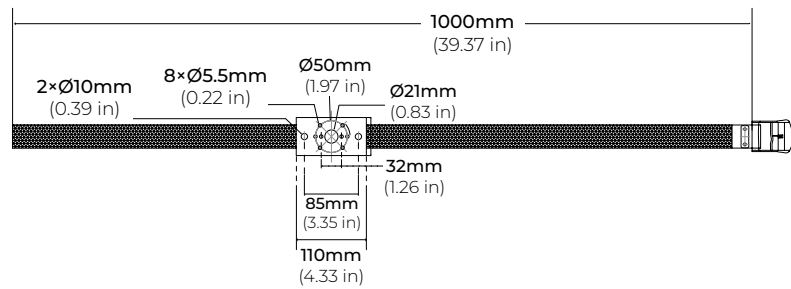
FL700-JB
JUNCTION BOX



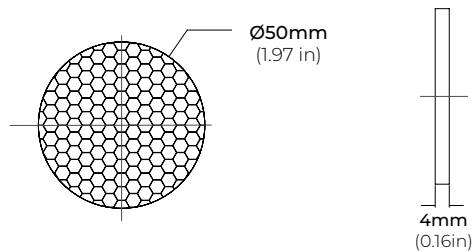
FL700-SK
GROUND STAKE



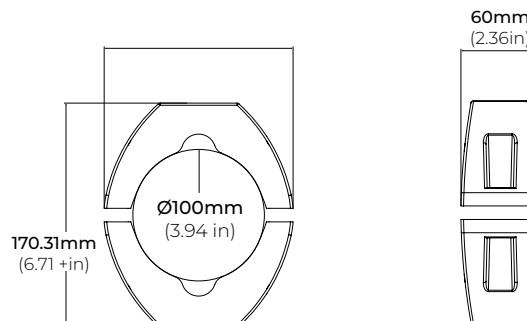
FL700-PJB
TREE STRAP WITH JUNCTION BOX



FL700-HC
HONEYCOMB LOUVER



FL700-PC
POLE CLAMP



FL-710LV

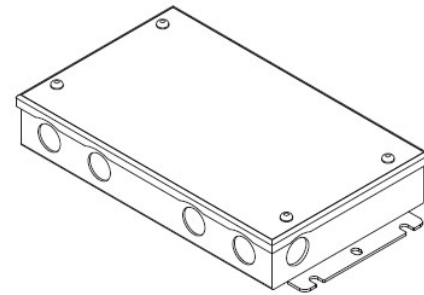
LOW VOLTAGE OUTDOOR LIGHTING LUMINAIRE

COMPATIBLE TRANSFORMERS

PSDL SERIES TRIAC DIMMABLE

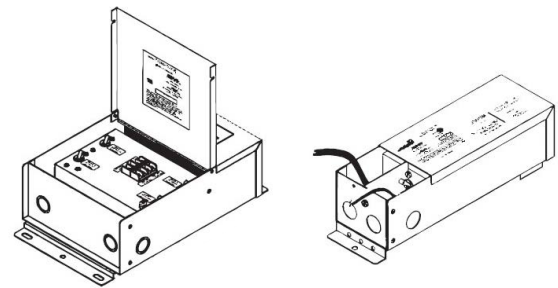
PSDL-30W-24V	CLASS 2	6.5" X 3.63" X 1.58"
PSDL-60W-24V	CLASS 2	7.4" X 3.63" X 1.58"
PSDL-100W-24V	CLASS 2	8.67" X 3.67 X 1.62"
PSDL-150W-24V		10.25" X 4.06" X 1.82"
PSDL-200W-24V		10.25" X 4.06" X 1.82"
PSDL-300W-24V		10.25" X 4.06" X 1.82"

PSDL-30W-24V	CLASS 2	6.5" X 3.63" X 1.58"
PSDL-60W-24V	CLASS 2	7.4" X 3.63" X 1.58"
PSDL-96W-24V	CLASS 2	8.67" X 3.67 X 1.62"
PSDL-150W-24V		10.25" X 4.06" X 1.82"
PSDL-192W-24V	CLASS 2	11" X 4" X 1.82"
PSDL-200W-24V		10.25" X 4.06" X 1.82"
PSDL-288W-24V	CLASS 2	11.85" X 4.25" X 1.82"
PSDL-300W-24V		10.25" X 4.06" X 1.82"



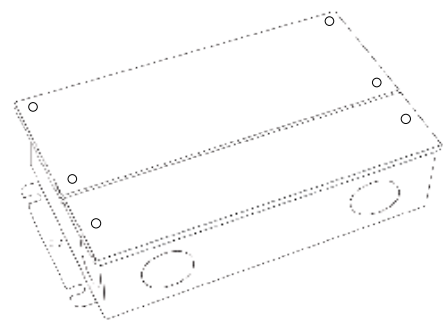
PSDH SERIES HIGH PERFORMANCE MAGNETIC LOW VOLTAGE (MLV)

PSDH-48W-24V	CLASS 2	11.25" X 3.38" X 3.38"
PSDH-96W-24V	CLASS 2	11.25" X 3.38" X 3.37"
PSDH-288W-24V	CLASS 2	14.25" X 8.43" X 4.43"



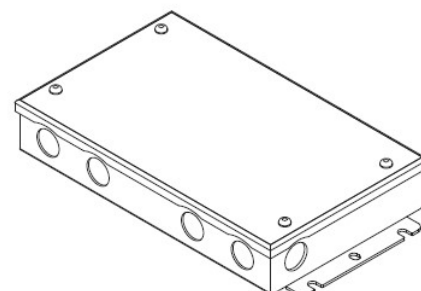
PSRX SERIES 4-IN-1 DIMMING DRIVER W/ JUNCTION BOX

PSRX-30W-12V-UNV	CLASS 2	6.5" X 3.72" X 1.57"
PSRX-60W-12V-UNV	CLASS 2	7.4" X 3.72" X 1.57"
PSRX-150W-12V-UNV		10.24" X 4.13" X 1.77"
PSRX-30W-24V	CLASS 2	6.5" X 3.72" X 1.57"
PSRX-60W-24V	CLASS 2	7.4" X 3.72" X 1.57"
PSRX-96W-24V	CLASS 2	8.66" X 3.72" X 1.57"
PSRX-150W-24V		10.24" X 4.13" X 1.77"
PSRX-192W-24V	CLASS 2	11" X 4" X 1.82"
PSRX-200W-24V		10.24" X 4.13" X 1.77"
PSRX-288W-24V	CLASS 2	11.85" X 4.25" X 1.82"
PSRX-300W-24V		10.94" X 4.33" X 1.77"



PSVT SERIES 0-10V DIMMING WITH JUNCTION BOX

PSVT-60W-24V-UNV-010	CLASS 2	7.4" X 3.72" X 1.57"
PSVT-96W-24V-UNV-010	CLASS 2	8.66" X 3.72" X 1.57"
PSVT-200W-24V-UNV-010		10.24" X 4.13" X 1.77"
PSVT-288W-24V-UNV-010	CLASS 2	11.85" X 4.25" X 1.81"
PSVT-300W-24V-UNV-010		10.94" X 4.33" X 1.77"



FL-710LV

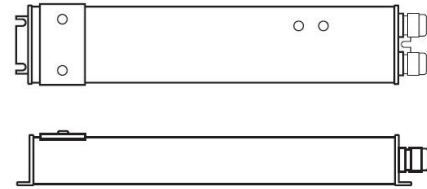
LOW VOLTAGE OUTDOOR LIGHTING LUMINAIRE

COMPATIBLE TRANSFORMERS

PSDE SERIES

0-10V DIMMING W/ JUNCTION BOX

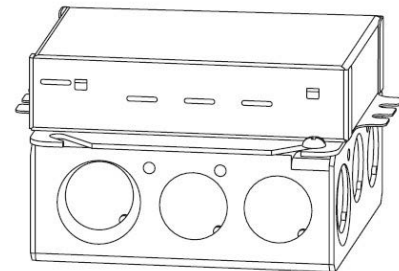
PSDE-60W-24V-010-JB	CLASS 2	12.1" X 2.36" X 1.4"
PSDE-96W-24V-010-JB	CLASS 2	12.1" X 2.36" X 1.4"



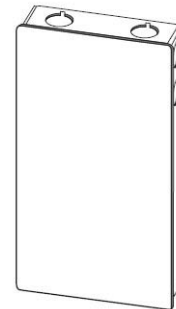
LUTRON 1%

3-WIRE DIMMING

L3DA4U1UKL-CV240	CLASS 2	4.89" X 4" X 2.62"
------------------	---------	--------------------



PSDE-96W-24V-ECO	CLASS 2	10.5" X 3.0" X 2.0"
------------------	---------	---------------------



COMPATIBLE NON-DIMMING DRIVERS

PSHK SERIES

NON-DIMMING CONSTANT VOLTAGE WITH JUNCTION BOX

PSHK-30W-24V	CLASS 2	6.5" X 3.6" X 1.02"
PSHK-60W-24V	CLASS 2	7.4" X 3.62" X 1.02"
PSHK-96W-24V	CLASS 2	8.66" X 3.66" X 1.61"
PSHK-150W-24V		10.24" X 4.06" X 1.81"
PSHK-200W-24V		10.24" X 4.06" X 1.81"
PSHK-288W-24V	CLASS 2	11.85" X 4.25" X 1.82"
PSHK-300W-24V		10.94" X 4.25" X 1.81"

